

Technical data sheet



Product features

Cooking range electric 2x plate on open cabinet 400 V

Model	SAP Code	00110098
--------------	-----------------	----------



- Device type: Electric unit
- Power consumption of the zone 1 [kW]: 2x hotplates 2.6 kW ø 220 mm
- Power consumption of the zone 2 [kW]: 2,6
- Protection of controls: IPX4
- Material: AISI 304 top plate, AISI 430 cladding

SAP Code	00110098	Loading	400 V / 3N - 50 Hz
Net Width [mm]	400	Number of zones	2
Net Depth [mm]	700	Power consumption of the zone 1 [kW]	2x hotplates 2.6 kW ø 220 mm
Net Height [mm]	900	Power consumption of the zone 2 [kW]	2,6
Net Weight [kg]	32.00	Diameter of device [mm]	220
Power electric [kW]	5.200		

Technical data sheet



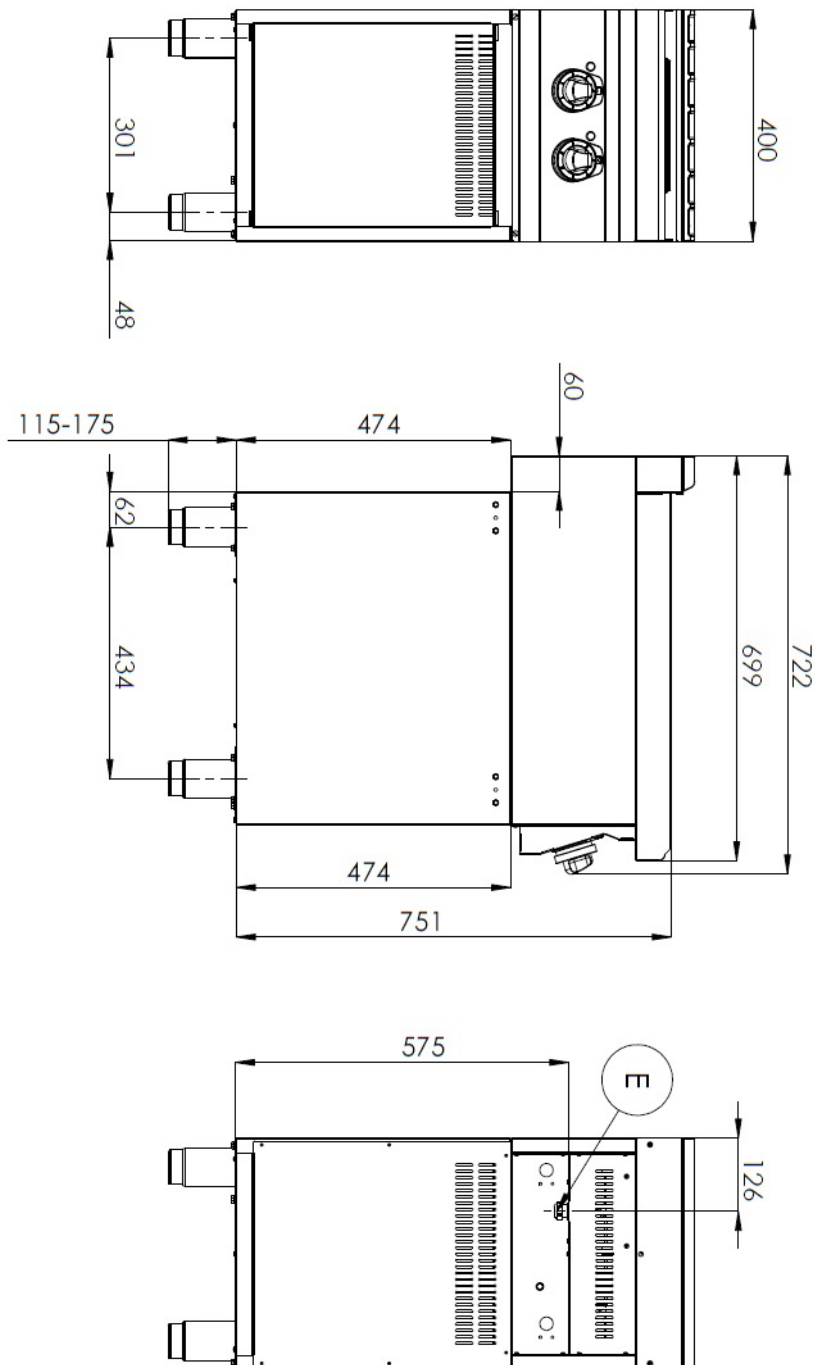
Technical drawing

Cooking range electric 2x plate on open cabinet 400 V

Model

SAP Code

00110098



Cooking range electric 2x plate on open cabinet 400 V

Model	SAP Code	00110098
-------	----------	----------

1

Round plates

- quick warm-up
efficient cooking on a round surface with easy
adhesion to dishes
- time-saving in food preparation
 - easy to use thanks to the large surface area of the
cooking plates

2

Internal thermostatic plate protection

- longer service life of the plates
- no overheating of the plates and no cracking

3

Degree of protection of the control elements IPX4

- maintenance-free system
resistance to splash water
long life
- savings on service interventions
 - easy cleaning and maintenance of equipment

4

All-stainless design

- long life
resistance of a ground steel plate with
a thickness of 10 mm
- savings on service interventions
 - higher corrosion resistance

5

Hygienic moldings of the top plate

- absence of sharp corners and edges (potential places
where dirt could stick)
smooth transitions
- easy quick cleaning

6

Variability

- the possibility of adding to the current line
easy possibility of creating one module
long life
- cost saving
 - space saving
 - long service life

Technical data sheet



Technical parameters

Cooking range electric 2x plate on open cabinet 400 V

Model	SAP Code	00110098
--------------	-----------------	----------

1. SAP Code:

00110098

2. Net Width [mm]:

400

3. Net Depth [mm]:

700

4. Net Height [mm]:

900

5. Net Weight [kg]:

32.00

6. Gross Width [mm]:

440

7. Gross depth [mm]:

800

8. Gross Height [mm]:

975

9. Gross Weight [kg]:

40.00

10. Device type:

Electric unit

11. Construction type of device:

With substructure

12. Power electric [kW]:

5.200

13. Loading:

400 V / 3N - 50 Hz

14. Protection of controls:

IPX4

15. Material:

AISI 304 top plate, AISI 430 cladding

16. Worktop type:

Molded - comfortable cleaning maintenance

17. Worktop material:

AISI 304

18. Worktop Thickness [mm]:

1.20

19. Number of zones:

2

20. Power consumption of the zone 1 [kW]:

2x hotplates 2.6 kW ø 220 mm

21. Power consumption of the zone 2 [kW]:

2,6

22. Number of power control stages:

6

23. Service accessibility:

Trough the frontal panel

24. Safety element:

internal thermostatic protection of the hotplate against overheating

25. Adjustable feet:

Yes

26. Number of burners/hot plates:

2

27. Diameter of device [mm]:

220

28. Type of electric cooking zones:

Oval